



ZANOTTI Spa
Via M.L. King, 30
46020 - Pegognaga (MN) - ITALY
Tel. +39 0376 5551
Fax +39 0376 536554
info@zanotti.com

Technical specifications

Version 1.1.1

Model:

BSB225T02F

Class:

Uniblock SB

Technical data

Characteristics	M.U.	Value
Working temperature	°C	-15 ÷ -25
Starting mode		Direct
Voltage	Volt-Ph-Hz	400/3N~/50
Rated input	kW*	1,5
Rated input	Amp	4,2
Peak current	Amp	27
Max current	Amp	4,9
Refrigerant		R404A
Defrost		Hot gas
Mass	Kg	87

Compressor

Type		Hermetic
Nominal power	kW	1,5

Condenser

Air flow	m³/h	1400
----------	------	------

Evaporator

Air flow	m³/h	1100
Air throw	m**	4



Power data

Tc °C	Ta °C	P watt	P Kcal/h	V120 m³	V100 m³	V80 m³
	20	2394	2059	21	19	16
	25	2293	1972	19	17	15
-15	30	2194	1887	17	15	13
	35	2095	1802	17	15	13
	40	1998	1718	16	14	12
	45	1902	1636	14	12	11
	20	1974	1698	15	13	12
	25	1878	1615	14	12	11
-20	30	1782	1533	13	12	10
	35	1686	1450	11	9,8	8,6
	40	1590	1367	10	8,9	7,8
	45	1494	1285	8,7	7,7	6,8
	20	1581	1360	10	8,9	7,8
	25	1487	1279	8,8	7,8	6,9
-25	30	1398	1202	7,7	6,9	6
	35	1314	1130	6,7	6	5,2
	40	1232	1060	5,7	5,1	4,4
	45	1150	989	4,9	4,4	3,8

* When normally running

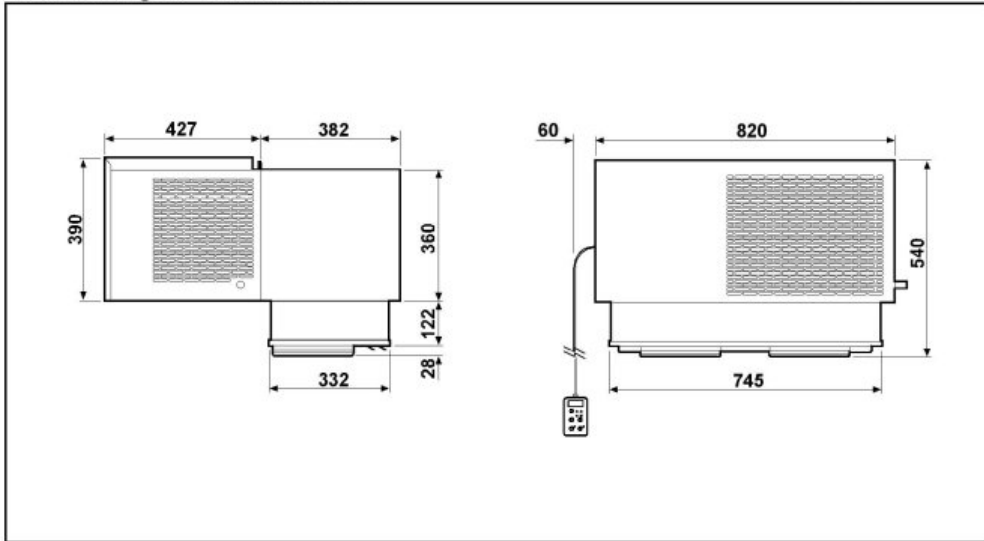
** Use air throw as a base. Air throw is affected by many factors such as height of room, product storage, location of evaporator, etc.

Tc: Coldroom temp. - Ta: External temp.

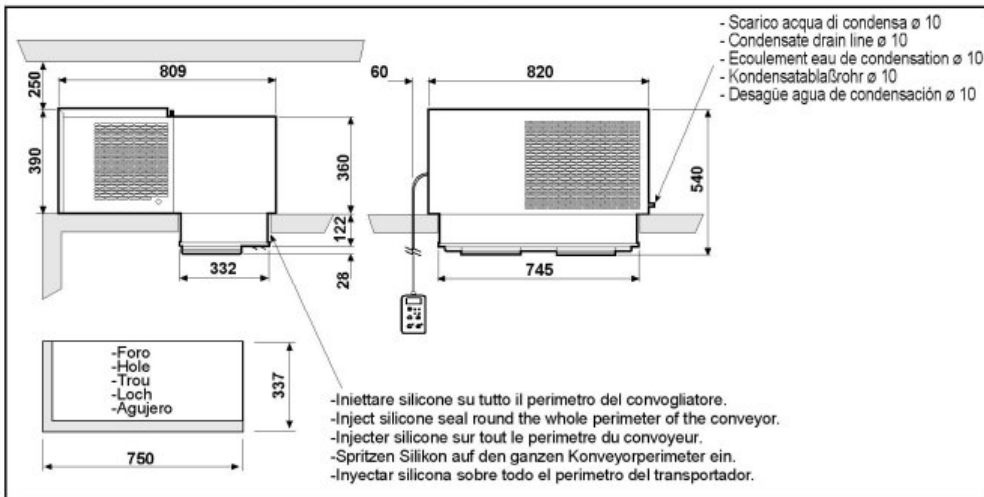
P: Refrigerant capacity - V: Recommended cold-room volume

Dimensioni - Dimensions - Dimensions
Abmessungen - Dimensiones

SB225

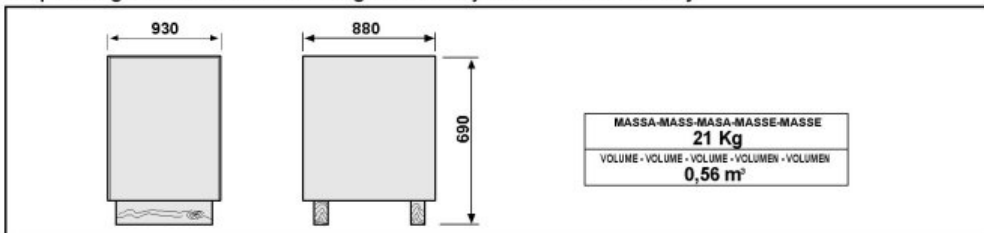


Schema di montaggio - Mounting scheme - Schema de montage
Montageschema - Esquema de montaje



- * Raccomandazioni in sede di installazione e per il controllo fornite sul manuale di installazione
- * To be advised at time of order for factory installation and operating instructions
- * Recommendations au moments d'installations et pour le contrôle fournis sur le manuel d'installation
- * Empfehlungen für die Installationsphase und zur Kontrolle, die im Handbuch zur Installation enthalten sind
- * Por cuanto respecta a recomendaciones de instalación y control ver manual de instalación

Massa e misure imballi - Packing mass and dimensions - Masse et dimensions emballages
Verpackungsmasse und-abmessungen - Masa y medidas del embalaje



ZANOTTI S.p.A.